

March 14, 1967

H. KROEMER

3,309,553

SOLID STATE RADIATION EMITTERS

Filed Aug. 16, 1963

FIG. 2

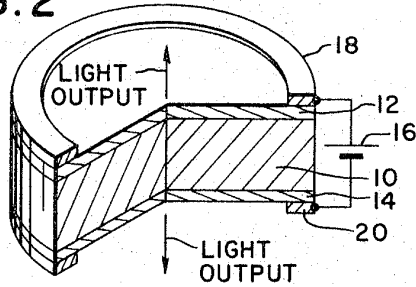


FIG. 3

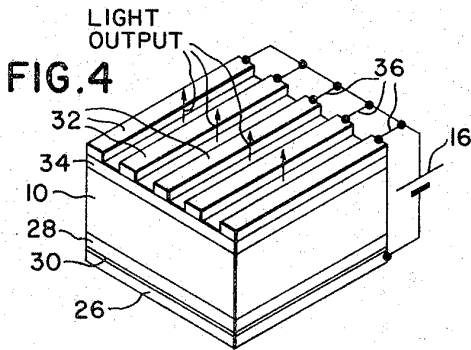
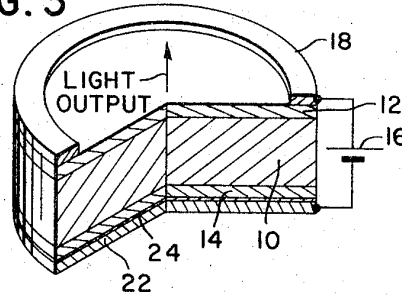


FIG. 6

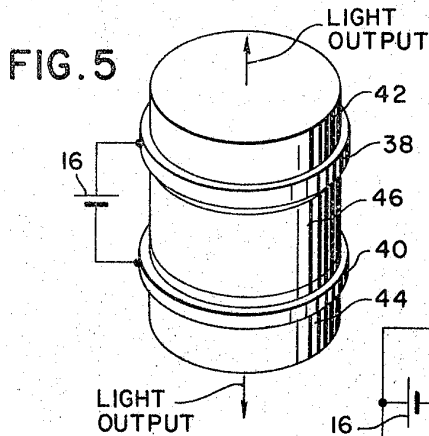
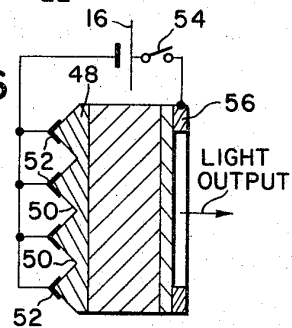


FIG. 1

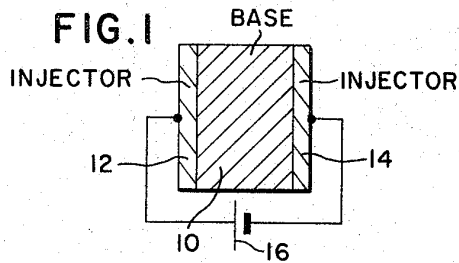


FIG. 7

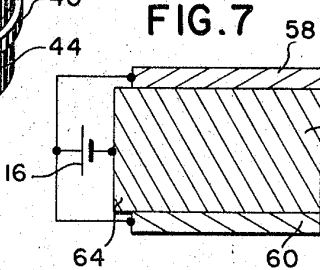


FIG. 8

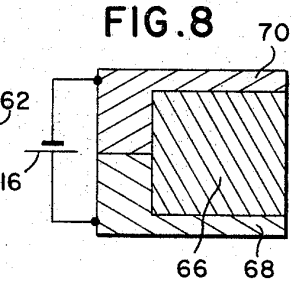
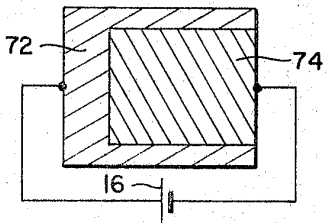


FIG. 9



INVENTOR
HERBERT KROEMER

BY *Paul B. Hunter*

ATTORNEY